



FISHER
MODEL 400C



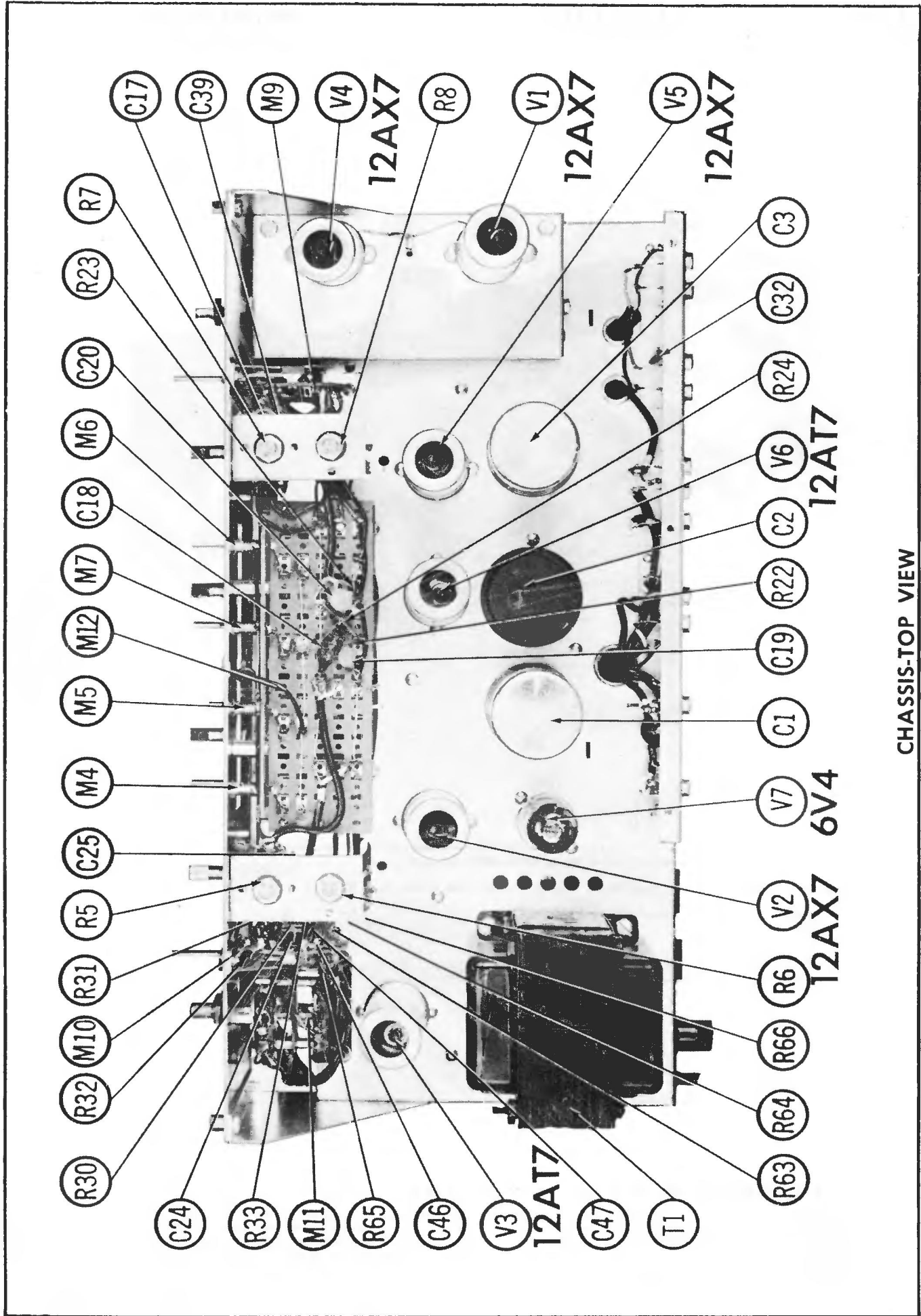
FISHER
MODEL 400C

TRADE NAME	Fisher Model 400-C (Serial #10001-19999 inclusive)		
MANUFACTURER	Fisher Radio Corp., 21-21 44th Drive, Long Island City 1, N. Y.		
TYPE SET	AC Operated Stereo Amplifier		
TUBES	Seven		
POWER SUPPLY	110-125 Volts AC, 60 Cycles	RATING	32 Watts, .30 Amp. @ 117 Volts AC

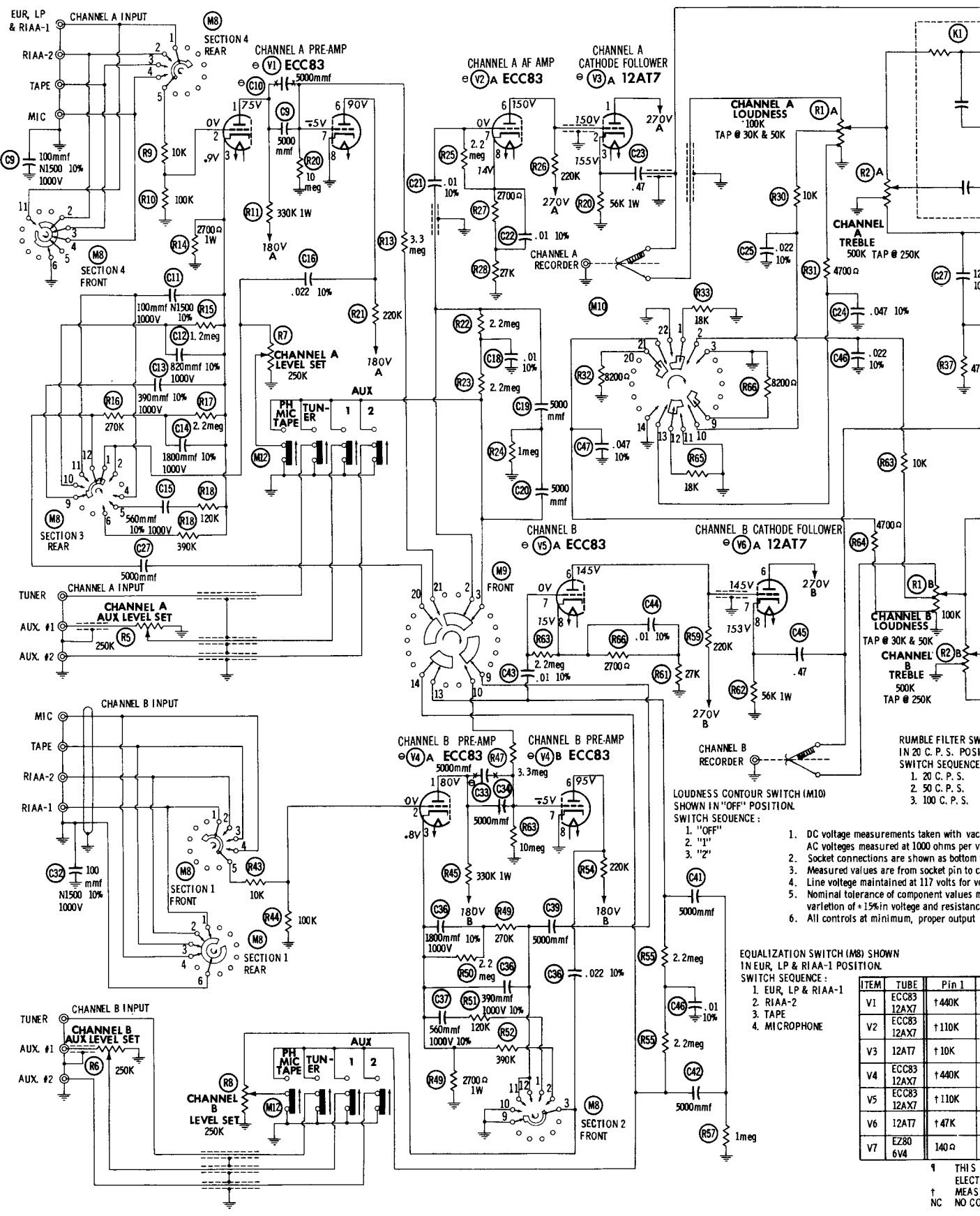
HOWARD W. SAMS & CO., INC. Indianapolis 6, Indiana

The listing of any available replacement part herein does not constitute in any case a recommendation, warranty or guaranty by Howard W. Sams & Co., Inc., as to the quality and suitability of such replacement part. The numbers of these parts have been compiled from information furnished to Howard W. Sams & Co., Inc., by the manufacturers of H875

the particular type of replacement part listed. Reproduction or use, without express permission, of editorial or pictorial content, in any manner, is prohibited. No patent liability is assumed with respect to the use of the information contained herein. © 1959 Howard W. Sams & Co., Inc., Indianapolis 6, Indiana. Printed in U.S. of America



CHASSIS-TOP VIEW



RUMBLE FILTER SWITCH IN 20 C. P. S. POSITION SWITCH SEQUENCE:

1. 20 C. P. S.
2. 50 C. P. S.
3. 100 C. P. S.

LOUDNESS CONTOUR SWITCH (M10) SHOWN IN "OFF" POSITION. SWITCH SEQUENCE:

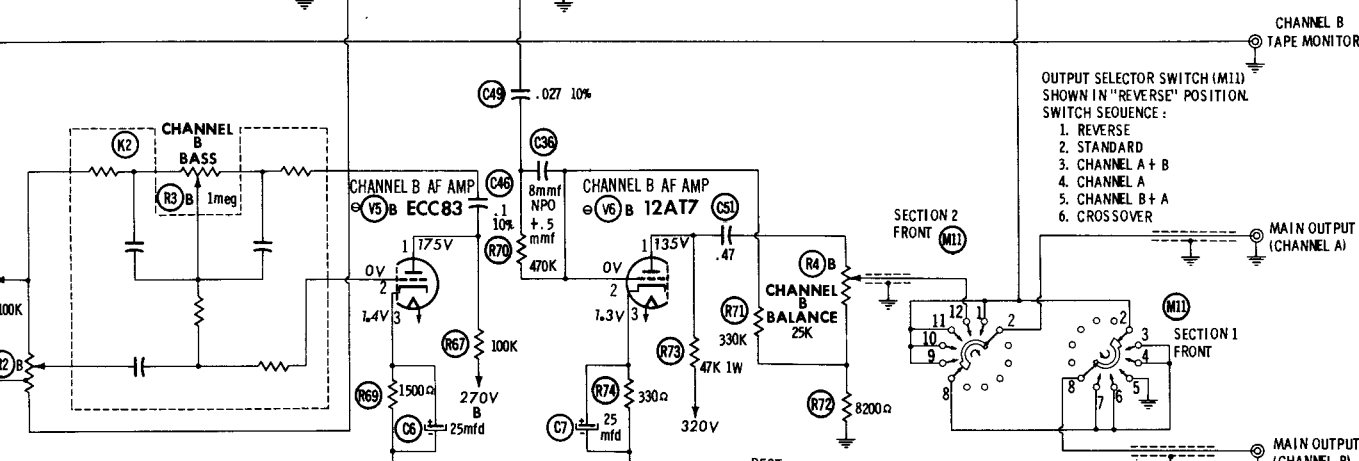
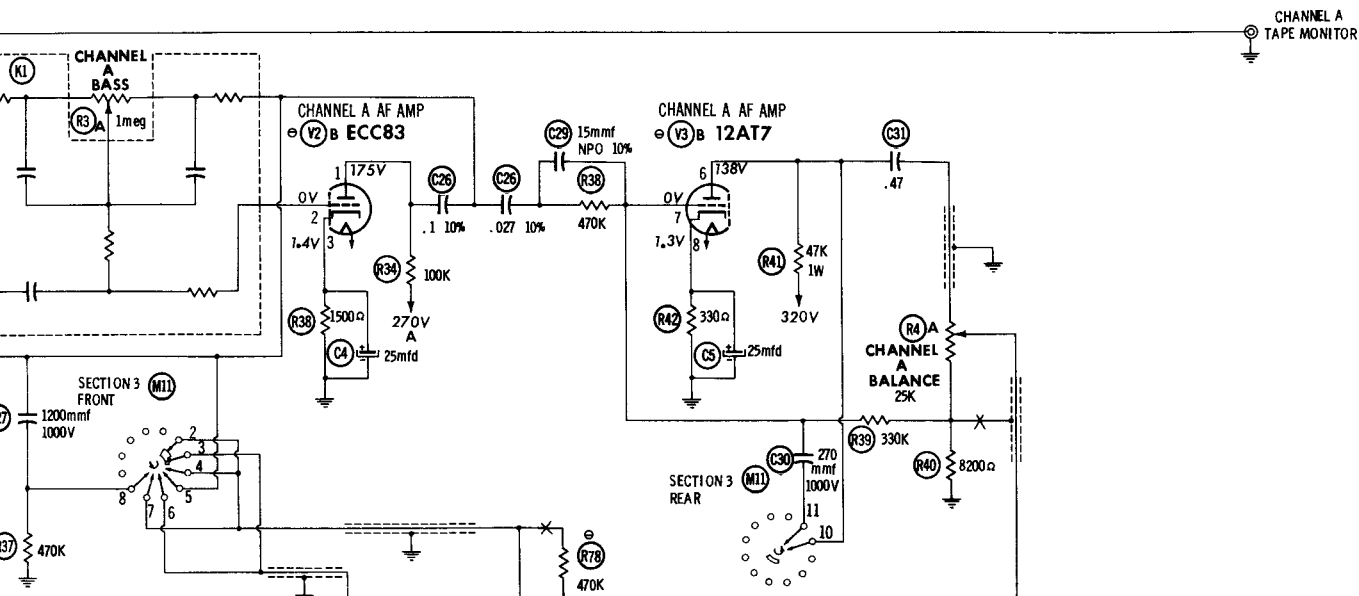
1. "OFF"
2. "1"
3. "2"

EQUALIZATION SWITCH (M8) SHOWN IN EUR, LP & RIAA-1 POSITION. SWITCH SEQUENCE:

1. EUR, LP & RIAA-1
2. RIAA-2
3. TAPE
4. MICROPHONE

ITEM	TUBE	Pin 1	Pin 2	Pin 3
V1	ECC83 12AX7	†440K	1	1
V2	ECC83 12AX7	†110K	3	3
V3	12AT7	†10K	1	1
V4	ECC83 12AX7	†440K	9	9
V5	ECC83 12AX7	†110K	3	3
V6	12AT7	†47K	3	3
V7	EZ80 6V4	140Ω	1	1

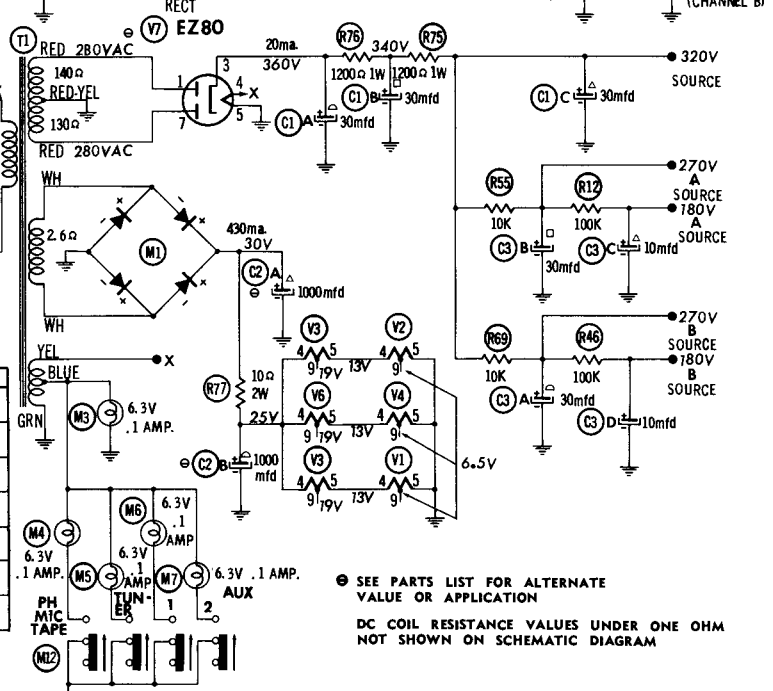
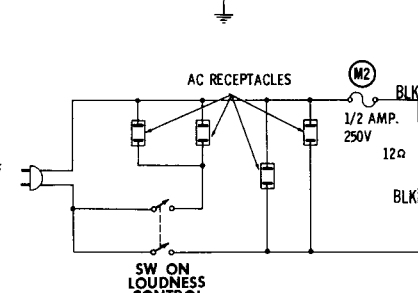
A PHOTOFAC STANDARD NOTATION SCHEMATIC
© Howard W. Sams & Co., Inc. 1959



OUTPUT SELECTOR SWITCH (M11) SHOWN IN "REVERSE" POSITION.
 SWITCH SEQUENCE:
 1. REVERSE
 2. STANDARD
 3. CHANNEL A + B
 4. CHANNEL A
 5. CHANNEL B + A
 6. CROSSOVER

OUTPUT SWITCH (M9) SHOWN IN "STANDARD" POSITION.
 SWITCH SEQUENCE:
 1. P.S.
 2. P.S.
 3. P.S.
 4. P.S.

Use with vacuum tube voltmeter; 100 ohms per volt.
 Readings are bottom views.
 Pin 1 to common negative.
 Readings are in ohms for voltage readings.
 Readings in ohms makes possible a resistance readings.
 Readings in ohms output load connected.

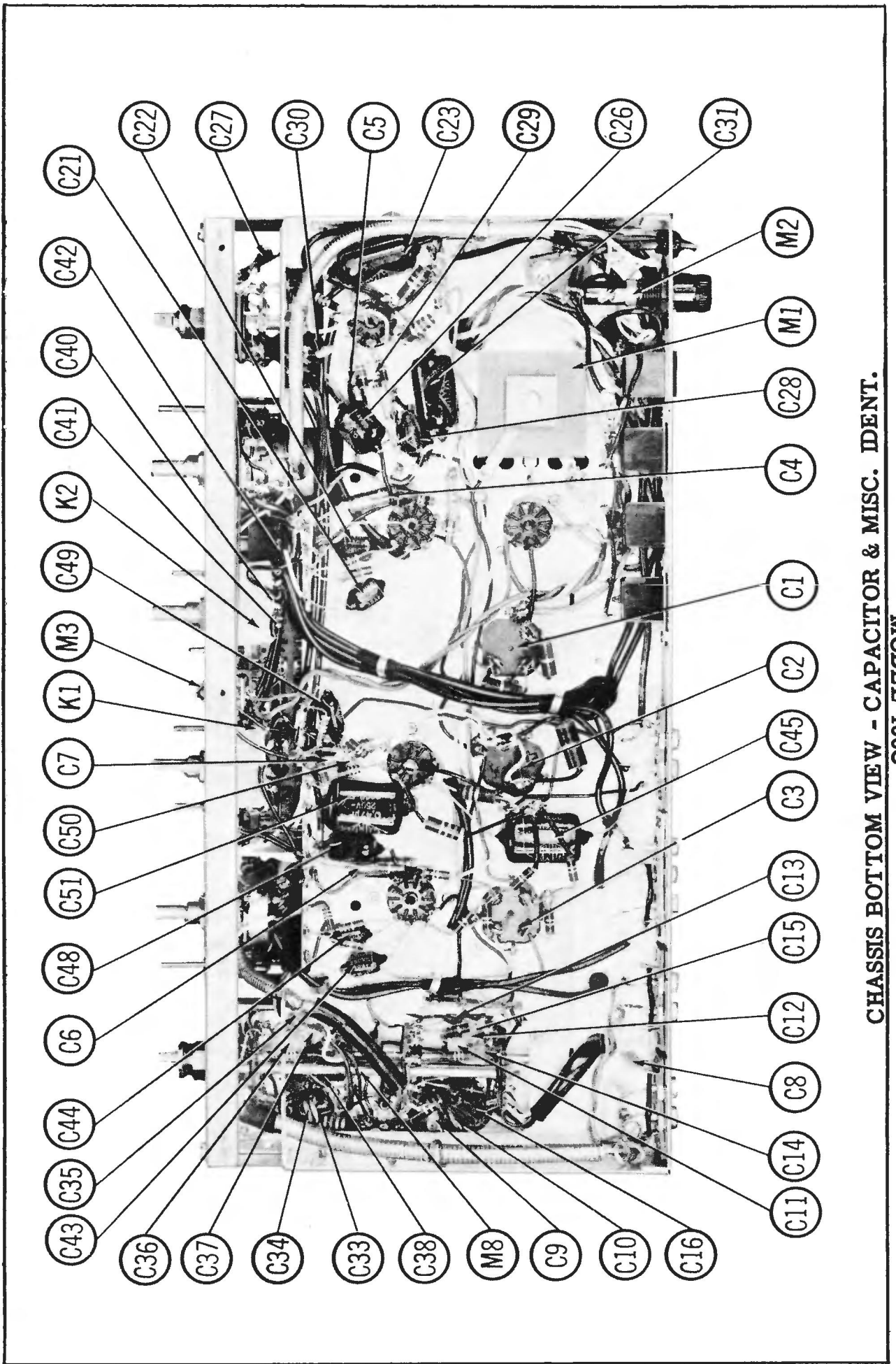


RESISTANCE READINGS								
Pin 1	Pin 2	Pin 3	Pin 4	Pin 5	Pin 6	Pin 7	Pin 8	Pin 9
40K	100K	2700Ω	10Ω	0Ω	†330K	10meg	0Ω	6Ω
10K	350K	1500Ω	10Ω	0Ω	†230K	2.2meg	30K	6Ω
10K	†230K	56K	8Ω	10Ω	†47K	330K	330Ω	9Ω
40K	9000Ω	2700Ω	10Ω	0Ω	†330K	10meg	0Ω	6Ω
10K	350K	1500Ω	8Ω	10Ω	†230K	2.2meg	30K	9Ω
7K	330K	330Ω	8Ω	10Ω	†10Ω	†230K	56K	9Ω
0Ω	NC	†	.4Ω	0Ω	NC	130Ω	NC	NC

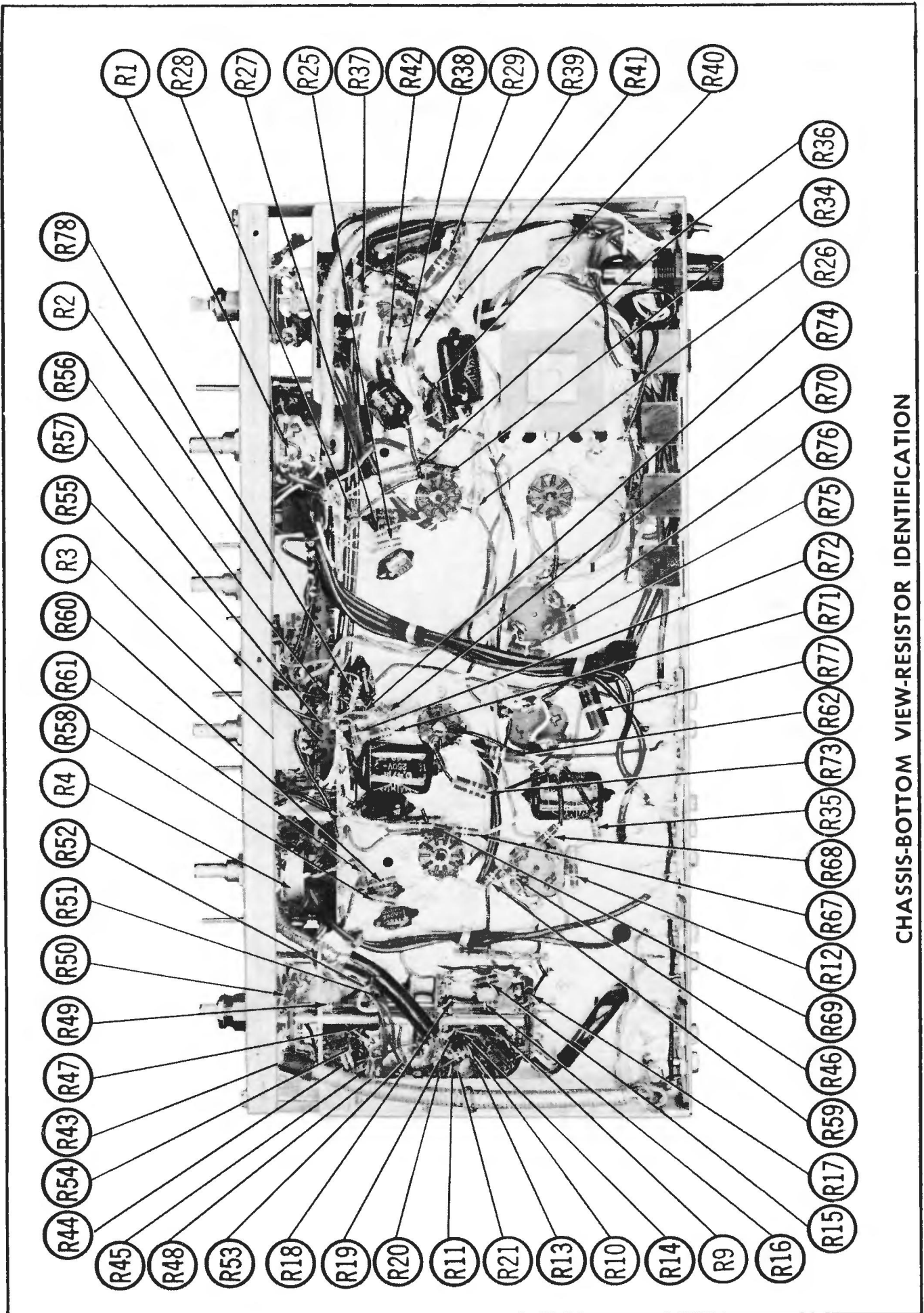
THIS READING WILL VARY DEPENDING UPON THE CONDITION OF THE ELECTROLYTIC CAPACITOR CONNECTED IN THE ASSOCIATED CIRCUIT. MEASURED FROM PIN 3 OF V7. NO CONNECTION

SEE PARTS LIST FOR ALTERNATE VALUE OR APPLICATION
 DC COIL RESISTANCE VALUES UNDER ONE OHM NOT SHOWN ON SCHEMATIC DIAGRAM

FISHER
 MODEL 400C



FISHER
 MODEL 400C
 CHASSIS BOTTOM VIEW - CAPACITOR & MISC. IDENT.



CHASSIS-BOTTOM VIEW-RESISTOR IDENTIFICATION

PARTS LIST AND DESCRIPTIONS

TUBES (GENERAL ELECTRIC, SYLVANIA)

ITEM No.	USE	TYPE	USE	TYPE
V1	Ch. A Pre-amplifier	ECC83/12AX7	Ch. B AF Amplifier	ECC83/12AX7
V2	Ch. A AF Amplifier	ECC83/12AX7	Ch. B Cath. Follower	12AT7/ECC81
V3	Ch. A Cath. Follower	12AT7/ECC81	AF Amplifier	E280/6V4
V4	Ch. B Pre-amplifier	ECC83/12AX7	Rectifier	

Ⓛ Domestic type listed may not be directly interchangeable in some instances.

ELECTROLYTIC CAPACITORS

ITEM No.	RATING		REPLACEMENT DATA				SPRAGUE PART No.	NOTES	
	CAP.	VOLT.	FISHER PART No.	AEROVOX PART No.	CORNELL-DUBILIER PART No.	MALLORY PART No.			PYRAMID PART No.
C1A	.50	400	C-657-125	AFH3-39	C0300	FP376.7	TMT-46	T-155	TVLS-3673.5*
C1B	.50	350					TD-10-450		TVLS-2242 *
C1C	.50	350							TVLS-4563.5*
C2A	1.0000	30	C-552-106	AFH4-06	D0020	FP446.6	TMQ-14	Q-035	MT-4530
C3A	.50	300							
C3B	.50	300							
C3C	.50	300							
C3D	.50	300							
C4	.25	6	C-639-114	SRE6V25	BHR25-6	TRC25	TD-25-25	MMT-625	TE-1091
C5	.25	6	C-639-114	SRE6V25	BHR25-6	TRC25	TD-25-25	MMT-625	TE-1091
C6	.25	6	C-629-114	SRE6V25	BHR25-6	TRC25	TD-25-25	MMT-625	TE-1091
C7	.25	6							

Ⓛ Use Part #C-546-116 to replace C-552-106.

* Not normally in distributors stock. Available thru distributor on order to manufacturer.

FIXED CAPACITORS

Capacity values given in the rating column are in mfd. for Paper Capacitors, and in mmfd. for Mica and Ceramic Capacitors.

ITEM No.	RATING		REPLACEMENT DATA				SPRAGUE PART No.	NOTES
	CAP.	VOLT.	FISHER PART No.	AEROVOX PART No.	CORNELL-DUBILIER PART No.	MALLORY PART No.		
C8	100	1000	C-50070-6	DI-5000	TCL-100	B-250	5GA-D5	N1500 10%
C9	5000		C-50089-1	DI-5000	DD502	B-250	5GA-D5	Note 1
C10	5000		C-50089-1	DI-5000	DD502	B-250	5GA-D5	N1500 10%
C11	100	1000	C-50070-6	DI-5000	TCL-100	B-250	5GA-D5	
C12	830	1000	C-50072-7	DI-5000	L10T39	JL-362	10GAB-T828 10%*	10%
C13	390	1000	C-50072-6	DI-5000	L10T39	JL-218	10GAB-D185 10%*	10%
C14	1800	1000	C-50072-8	DI-5000	L10T39	JL-356	10GAB-T828 10%*	10%
C15	550	1000	C-50072-4	DI-5000	L10T39	JL-356	10GAB-T828 10%*	10%
C16	.022	125	C-50074-16	DI-5000	L10D5	B-250	2WF-S22	10%
C17	5000		C-50089-1	DI-5000	L10D5	B-250	5GA-D5	
C18	.01	125	C-50074-14	DI-5000	L10D5	B-250	2WF-SU0	10%
C19	5000		C-50089-1	DI-5000	L10D5	B-250	5GA-D5	
C20	5000		C-50089-1	DI-5000	L10D5	B-250	5GA-D5	
C21	.01	125	C-50074-14	DI-5000	L10D5	B-250	2WF-SU0	10%
C22	.01	125	C-50074-14	DI-5000	L10D5	B-250	2WF-SU0	10%
C23	.047	125	C-50074-19	DI-5000	L10D5	B-250	2WF-SU0	10%
C24	.047	125	C-50074-19	DI-5000	L10D5	B-250	2WF-SU0	10%
C25	.047	125	C-50074-19	DI-5000	L10D5	B-250	2WF-SU0	10%
C26	.1	250	C-50074-28	DI-5000	L10D5	B-250	2WF-S22	10%
C27	1300	1000	C-50072-4	DI-5000	L10D12	B-212	5BF-P10	10%
C28	.087	125	C-50074-16	DI-5000	L10D12	B-212	5BF-P10	10%
C29	15	250	CC20CJ150K5	DI-5000	TCZ-15	B-387	5TCC-Q15	10%
C30	470	1000	CC20CJ150K5	DI-5000	TCZ-15	B-387	5TCC-Q15	10%
C31	270	1000	CC20CJ150K5	DI-5000	TCZ-15	B-387	5TCC-Q15	10%
C32	100	1000	CC20CJ150K5	DI-5000	TCZ-15	B-387	5TCC-Q15	10%
C33	5000		CC20CJ150K5	DI-5000	TCZ-15	B-387	5TCC-Q15	10%
C34	5000		CC20CJ150K5	DI-5000	TCZ-15	B-387	5TCC-Q15	10%

FOLDER 7

CAPACITORS (cont)

ITEM No.	RATING		REPLACEMENT DATA				SPRAGUE PART No.	NOTES
	CAP.	VOLT.	FISHER PART No.	AEROVOX PART No.	CORNELL-DUBILIER PART No.	MALLORY PART No.		
C35	390	1000	C-50072-6	DI-5000	L10T39	JL-218	10GAB-T828 10%*	10%
C36	1900	1000	C-50072-8	DI-5000	L10T39	JL-356	10GAB-T828 10%*	10%
C37	560	1000	C-50072-14	DI-5000	L10D5	B-250	5GA-D5	10%
C38	.022	125	C-50074-18	DI-5000	L10D5	B-250	5GA-D5	10%
C39	5000		C-50089-1	DI-5000	L10D5	B-250	5GA-D5	10%
C40	.01	125	C-50074-14	DI-5000	L10D5	B-250	5GA-D5	10%
C41	5000		C-50089-1	DI-5000	L10D5	B-250	5GA-D5	10%
C42	5000		C-50089-1	DI-5000	L10D5	B-250	5GA-D5	10%
C43	.01	125	C-50074-14	DI-5000	L10D5	B-250	5GA-D5	10%
C44	.01	125	C-50074-14	DI-5000	L10D5	B-250	5GA-D5	10%
C45	.47	125	C-50074-29	DI-5000	L10D5	B-250	5GA-D5	10%
C46	.022	125	C-50074-18	DI-5000	L10D5	B-250	5GA-D5	10%
C47	.047	125	C-50074-18	DI-5000	L10D5	B-250	5GA-D5	10%
C48	.1	250	C-50074-28	DI-5000	L10D5	B-250	5GA-D5	10%
C49	.087	125	C-50074-18	DI-5000	L10D5	B-250	5GA-D5	10%
C50	8	250	CC20CJ080D5	DI-5000	L10D5	B-250	5GA-D5	10%
C51	.47	250	C-50074-29	DI-5000	L10D5	B-250	5GA-D5	NPO ±.5mmf

* Not normally in distributors stock. Available thru distributor on order to manufacturer.

Note 1. Not used in some versions.

CONTROLS

ITEM No.	RATING		REPLACEMENT DATA				INSTALLATION NOTES
	RESIST. ANCE	WATTS	FISHER PART No.	CENTRALAB PART No.	CIAROSTAT PART No.	MALLORY PART No.	
R1A	100K	1	R657-137	AD47-1meg-S	Q13-137		Volume, Tap @ 50K & 50K Ch. A
R1B	100K	1					Treble, Tap @ 250K Chan. A
R2A	500K	1	R657-135	BB-108	M11-137		Balance, Chan. B
R3A	1meg	1	R657-136	Not Req.	Q11-137		Bas, Chan. A
R3B	1meg	1		Not Req.			Bas, Chan. B
R4A	25K	1	R657-135	JP-254	Q11-120		Balance, Chan. A
R5	25K	1		48M-250K-S	M11-120		Level Set Aux. Chan. A
R6	250K	1	R657-134	JP-254			Level Set Aux. Chan. B
R7	250K	1	R657-134	JP-254			Level Set, Chan. A
R8	250K	1	R657-134	JP-254			Level Set, Chan. B

RESISTORS

All wattages 1/2 watt, or less, unless otherwise listed.

ITEM No.	RATING		NOTES	FISHER PART No.	RATING	FISHER PART No.	NOTES
	OHMS	WATT					
R9	10K	1		RC20BF103K	R26	230K	RC20BF224K
R10	100F	1		RC20BF104K	R27	2700K	RC20BF272K
R11	330K	1		RC20BF334K	R28	27K	RC20BF273K
R12	100K	1		RC20BF104K	R29	54K	RC20BF543K
R13	3.3meg	1		RC20BF335K	R30	10K	RC20BF103K
R14	2700K	1		RC20BF277K	R31	4700K	RC20BF472K
R15	1.2meg	1		RC20BF125K	R32	8200K	RC20BF823K
R16	2.7K	1		RC20BF274K	R33	18K	RC20BF183K
R17	2.2meg	1		RC20BF225K	R34	100K	RC20BF104K
R18	1.2K	1		RC20BF124K	R35	10K	RC20BF103K
R19	390K	1		RC20BF394K	R36	1600K	RC20BF162K
R20	10meg	1		RC20BF106K	R37	470K	RC20BF474K
R21	220K	1		RC20BF224K	R38	330K	RC20BF334K
R22	2.2meg	1		RC20BF225K	R39	470K	RC20BF474K
R23	2.2meg	1		RC20BF225K	R40	8200K	RC20BF823K
R24	1meg	1		RC20BF105K	R41	47K	RC20BF473K
R25	2.2meg	1		RC20BF225K	R42	330K	RC20BF334K

FISHER MODEL 400C

PARTS LIST AND DESCRIPTIONS (Continued)

MISCELLANEOUS

ITEM No.	PART NAME	FISHER PART No.	NOTES
M3	Lamp	1-586-120	6.3V, 0.1A
M4	Lamp	1-586-120	6.3V, 0.1A
M5	Lamp	1-586-120	6.3V, 0.1A
M6	Lamp	1-586-120	6.3V, 0.1A
M7	Lamp	1-586-120	6.3V, 0.1A
M8	Switch	S-657-131	Equalization, 6 Position, Rotary, Wafer Type
M9	Switch	S-657-131	Rumble Filter, 3 Position, Rotary, Wafer, Lever Type
M10	Switch	S-657-138	Loudness Contour, 3 Position, Rotary, Wafer, Lever Type
M11	Switch	S-657-130	Output Selector, 6 Position, Rotary, Wafer Type
M12	Switch Assembly	S-657-129	Input Channel Selector, 4 Push Type

CABINETS & CABINET PARTS

(When Ordering Cabinets & Cabinet Parts, Specify Model, Chassis & Color)

NAME	PART NO.	DESCRIPTION
Knob	E-50049-42	With Gold Triangle, 6 used
Knob	E-546-106	Pushbutton, 4 used
Knob	E-546-135	Lever, 2 used
Dress Panel	AS-657-117	
Leg	H-657-145	Plastic, 4 used

WIRING DATA

General-use Unshielded Hook-up Wire Use BELDEN No. 8530 (Solid) Available in Ten Colors
 Power Cord Use BELDEN No. 8524 (Stranded) Available in Ten Colors
 Use BELDEN No. 1765-B (6 Ft. Length)
 Use BELDEN No. 1725-K (1 1/2 Ft. Length)

RESISTORS (cont)

ITEM No.	RATING		FISHER PART No.	NOTES
	OHMS	WATT		
R43	100K		RC20BF103K	
R44	100K		RC20BF104K	
R45	330K		RC20BF334K	
R46	100K		RC20BF104K	
R47	3.3meg		RC20BF335K	
R48	2700Ω		RC20BF274K	
R49	270K		RC20BF275K	
R50	2.2meg		RC20BF224K	
R51	120K		RC20BF124K	
R52	390K		RC20BF394K	
R53	10meg		RC20BF106K	
R54	220K		RC20BF224K	
R55	2.2meg		RC20BF225K	
R56	2.2meg		RC20BF225K	
R57	1meg		RC20BF105K	
R58	2.2meg		RC20BF225K	
R59	220K		RC20BF224K	
R60	2700Ω		RC20BF274K	

Note 1. Not used in some versions.

TRANSFORMER (POWER)

ITEM No.	RATING			REPLACEMENT DATA					
	PRI	SEC. 1	SEC. 2	Holdarson PART No.	Merit PART No.	Ram PART No.	Stancor PART No.	Thordarson PART No.	Tried PART No.
T1	117V ③ .30A	500VCT ③ .020A	30V ③ .43A	T-657-115					
	SEC. 3	SEC. 4	SEC. 5						
	6.3V ③ .6A Tap								
	③ 5.8V ③ .5A								

COMPONENT COMBINATIONS

ITEM No.	USE	FISHER PART No.	REPLACEMENT DATA
K1	Tone Comp. (Channel A)	PC-657-140	
K2	Tone Comp. (Channel B)	PC-657-140	

SELENIUM RECTIFIER

ITEM No.	REPLACEMENT DATA			NOTES
	RATING CURRENT (Measured)	FISHER PART No.	SARVES INTERNATIONAL PART No.	
M1	.430A	SR-50093	604B	

FUSES

ITEM No.	TYPE	RATING	REPLACEMENT DATA				
			FISHER PART No.	LITTELFUSE PART No.	BUSS PART No.	HOLDER	
M2	SAG	1A 250V	F-3297	312.600 (SAG 1A 250V)	342001	AGC†	BKP